

DIRECT-TEMP[®]

Direct Vent System

for PELLET and CORN STOVES

*Includes all Selkirk
Model VP Pellet Pipe™
and Direct-Temp® components
needed to complete a system*



Direct-Temp[®] for pellet and corn stoves is the revolutionary, high-performance and complete system for venting any wood pellet or corn stove

FEATURES

- Siliconized fiberglass seal
- 1" clearance to combustibles
- 304 stainless welded seam inner flue
- Quick no-sealant needed installation
- High-efficiency performance and LockTab[®] security
- Single pipe design integrates both fresh air intake and flue gas exhaust




SELKIRK[®]

We've Made Venting Your Pellet or Corn Appliance Simpler, Cleaner and More Efficient

Selkirk's revolutionary new Direct-Temp® Direct Vent System for gas appliances is now also UL listed for pellet and corn burning appliances.

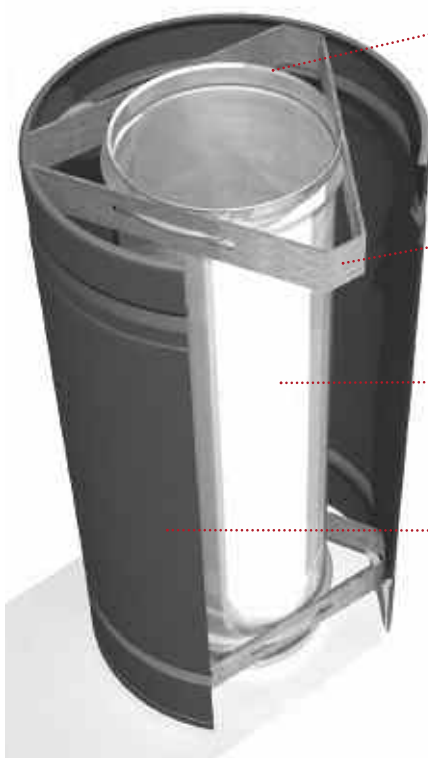
More and more of today's homes are becoming airtight. Couple that with a pellet or corn appliance utilizing indoor air with other vented appliances, such as a gas water heater, dryer or kitchen vent hood, and negative atmospheric pressure could be created in the home. This might prevent those appliances from venting exhaust gases correctly.

Unique to today's pellet and corn market, Direct-Temp® provides a completely enclosed, single stack venting system. Direct-Temp® is two vents in one. The outer vent supplies fresh outside air, which is preheated for high efficient combustion. The inner pipe,

made of 304 stainless steel which provides exceptional corrosion protection for wood pellets and corn, allows the exhaust gases to vent. The 304 stainless steel material of the inner pipe permits precision manufacturing tolerances, ensuring tight seals and added structural integrity of the system. Our liner has a continuously welded seam, which is superior to lock seam designs that may leak.

Our engineers set out to surpass the performance requirements of the industry with unique features found only in our direct vent system. Direct-Temp® is ideal for both sidewall and through-the-roof venting solutions, and has been engineered for optimum appliance performance.

WHAT MAKES THE DIRECT-TEMP® SYSTEM UNIQUE?



Chamfered edges allow for easy slide-together assembly.

Outer walls are constructed of heavy duty galvanized steel and are available in powder coat black or unpainted versions.

Heavy duty centering brackets keep inner pipe centered for easy assembly. Brackets also allow the inner pipe to float, allowing for expansion and contraction.

Utilizes a 304 stainless steel, seam-welded inner pipe, which provides exceptional corrosion resistance and enhances overall system integrity.

Centering brackets are not welded or riveted in place, creating a more attractive outer jacket and a smooth profile. The free-floating inner liner allows the pipe to expand and contract under high temperature without creating gaps or stress points in the system.

Our proprietary siliconized fiberglass seal adds an extra layer of protection to ensure combustion products won't leak out.



female end of pipe

Our LockTab® is a unique design that allows for 360° rotation while securely locking the sections of pipe together with just a push of the tab.



ADVANTAGES - DIRECT-TEMP® for Pellet and Corn

- Inherent design of Direct-Temp® eliminates fly ash into room
- 1" clearance to combustibles
- Preheats intake air for more efficient combustion
- Gasketed joints eliminate need for messy sealant
- One installation includes outside air for combustion
- Single stack looks more like a wood-burning stove
- Works with 3" or 4" pellet/corn stove outlets

OPTIONAL TERMINATION CONFIGURATIONS



Vertical Termination –
4DT-VPTA, 4VP-VC



Horizontal Termination –
4DT-VPTA, 4VP-EC or
4DT-DCC



**Horizontal Termination
with 45° Horizontal
Termination Elbow –**
4DT-VPTA, 4DT-VPTE,
4VP-EC or 4DT-DCC

PELLET STOVE HORIZONTAL TERMINATIONS (4VP-EC)

- Straight out exhaust using Selkirk Model VP Exit Cap (4VP-EC) or Decorative Cone Cap (4DT-DCC)
- 45-degree Horizontal Termination Elbow with 4VP-EC or 4DT-DCC to divert exhaust directionally



PELLET STOVE ADAPTER (4DT-VPSA)

- Connects to pellet vent tee for vertical installations
- Connects direct to pellet stove for straight out horizontal installations
- Allows outside combustion air to be directed to pellet stove
- Flue gases exhaust in 304 stainless steel pipe

FLEX PIPE

- For outside combustion air
- Included in 4DT-CAK

PELLET STOVE TERMINATION ADAPTER (4DT-VPTA)

- Connects to Direct-Temp® direct vent system
- Includes intake for outside combustion air
- Connects to either horizontal Selkirk Model VP Exit Cap (4VP-EC), Decorative Cone Cap (4DT-DCC), 45-degree Horizontal Termination Elbow with 4VP-EC, 4DT-DCC or vertical Selkirk Model VP Vertical Termination (4VP-VC)



THE BEST LIFETIME
WARRANTY
IN THE INDUSTRY!

DIRECT-TEMP®

**Complete direct vent
system components to
fit most any pellet or
corn installation.**



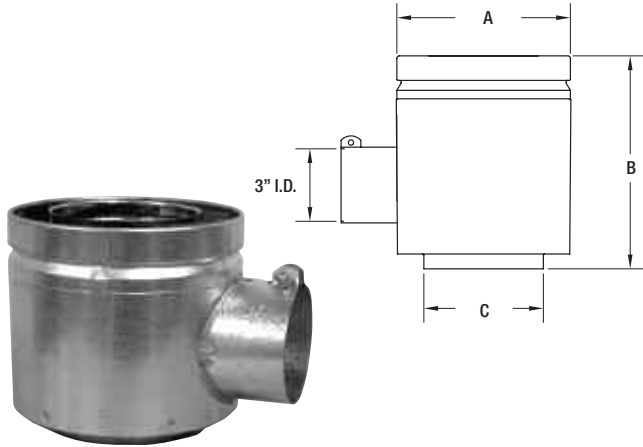
PELLET PIPE™

**Complete line
of components to fit
any 3" or 4" pellet
or corn stove.**



DIRECT-TEMP® for PELLET and CORN STOVES VENT COMPONENTS

PELLET STOVE ADAPTER

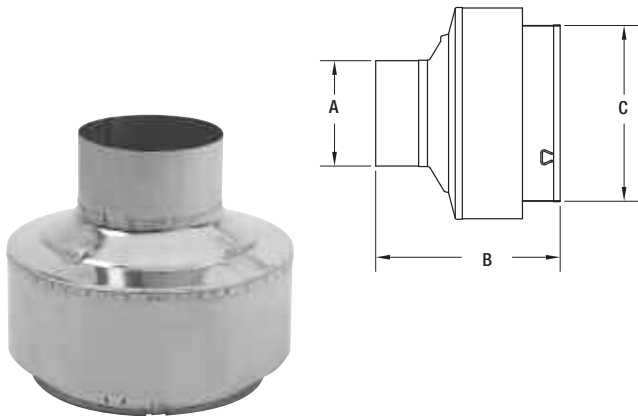


Description	Part No.	Sku No.
Direct Vent Pellet Stove Adapter	4DT-VPASA	1604248

DIM A	DIM B	DIM C
6.59"	6.125"	4.54"

NOTE: Allows pellet stove to connect to Direct-Temp® direct vent system

PELLET STOVE TERMINATION ADAPTER

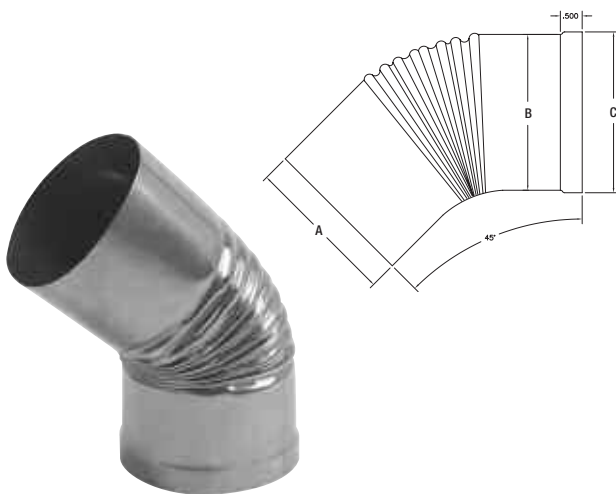


Description	Part No.	Sku No.
Direct Vent Pellet Termination Adapter	4DT-VPTA	1604805

DIM A	DIM B	DIM C
4.00"	7.00"	6.67"

NOTE: Use in conjunction with horizontal Exit Cap (4VP-EC), Decorative Cone Cap (4DT-DCC) or Vertical Termination (4VP-VC)

45° HORIZONTAL TERMINATION ELBOW



Description	Part No.	Sku No.
45° Horizontal Termination Elbow	4DT-VPTE	1604214

DIM A	DIM B	DIM C
3.915"	4.03"	4.160"

NOTE: Use in conjunction with Exit Cap (4VP-EC) or Decorative Cone Cap (4DT-DCC) to direct horizontal exhaust directionally

DECORATIVE CONE CAP



Description	Part No.	SKU No.
Decorative Cone Cap	4DT-DCC	1604803

COMBUSTION AIR KIT

To direct combustion air from 4DT-VPSA to pellet stove incoming air inlet.



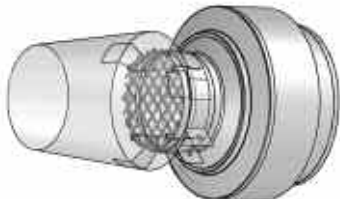
Description	Part No.	SKU No.
Combustion Air Kit	4DT-CAK	1604614

KIT INCLUDES:

- One hose clamp....adjusts from 1-1/2" to 3-1/2" to fit all pellet and corn stoves
- 3 feet of 3" ID aluminum flex pipe

OUTLET SCREEN

Attaches inside 4DT-DCC or 4VP-EC to prevent animals, birds and debris from entering horizontal vent.

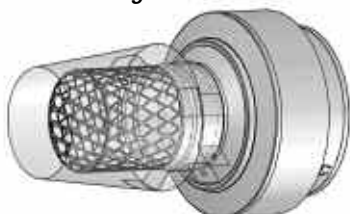


4DT-VPOS Outlet Screen installed

Description	Part No.	SKU No.
Outlet Screen	4DT-VPOS	1604790

SPARK SCREEN

Attaches inside 4DT-DCC to reduce sparks and to prevent animals, birds and debris from entering. Easily removed for cleaning.



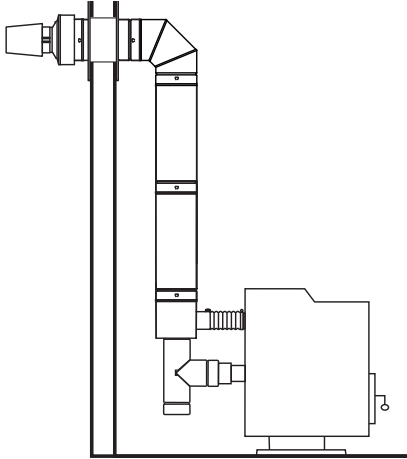
4DT-VPSS Spark Screen installed

Description	Part No.	SKU No.
Spark Screen	4DT-VPSS	1604791

DIRECT-TEMP® for PELLET and CORN STOVES TERMINATION KITS

Three new installation kits include everything you need except the Direct-Temp® pipe lengths for the most popular pellet and corn stove installations. These kits simplify your inventory and make pellet and corn stove installations quick and easy.

UP & OUT HORIZONTAL TERMINATION KIT*



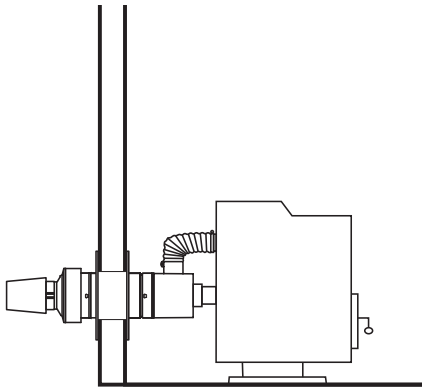
KIT INCLUDES:

- One 3" Pipe Connector, 3VP-PC
- One 3" to 4" Increaser, 3VP-I4
- One 4" Tee with Cap, 4VP-TS
- One Pellet Stove Adapter, 4DT-VPSAL
- One Wall Thimble, 4DT-WT
- One 90° Elbow, 4DT-EL90SB
- One Pellet Stove Termination Adapter, 4DT-VPTA
- One Decorative Cone Cap, 4DT-DCC
- 3 feet of 3" Aluminum Flex Pipe
- One Hose Clamp

Description	Part No.	Sku No.
Up and Out Horizontal Termination Kit*	4DT-VPHKB	1604680

*Kit includes everything but Direct-Temp® pipe lengths.

STRAIGHT OUT HORIZONTAL TERMINATION KIT*



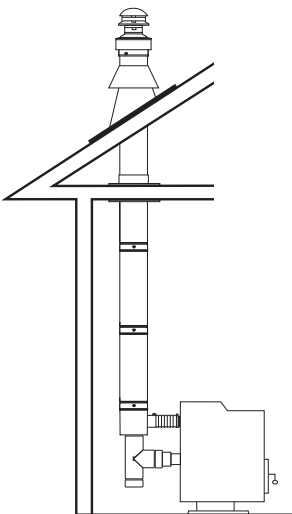
KIT INCLUDES:

- One 3" Pipe Connector, 3VP-PC
- One 3" to 4" Increaser, 3VP-I4
- One Pellet Stove Adapter, 4DT-VPSAL
- One Wall Thimble, 4DT-WT
- One Pellet Stove Termination Adapter, 4DT-VPTA
- One Decorative Cone Cap, 4DT-DCC
- 3 feet of 3" Aluminum Flex Pipe
- One Hose Clamp

Description	Part No.	Sku No.
Straight Out Horizontal Termination Kit*	4DT-VPHKA	1604682

*Kit includes everything but Direct-Temp® pipe lengths.

THROUGH-THE-ROOF VERTICAL TERMINATION KIT*



KIT INCLUDES:

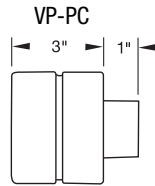
- One 3" Pipe Connector, 3VP-PC
- One 3" to 4" Increaser, 3VP-I4
- One 4" Tee with Cap, 4VP-TS
- One Pellet Stove Adapter, 4DT-VPSAL
- One Ceiling Support, 4DT-CS
- One Trim Plate, 4DT-TP
- One Roof Flashing, 4DT-AF6
- One Storm Collar, 4DT-SC
- One Pellet Stove Termination Adapter, 4DT-VPTA
- One Vertical Cap, 4VP-VC
- 3 feet of 3" Aluminum Flex Pipe
- One Hose Clamp

Description	Part No.	Sku No.
Through-the-Roof Vertical Termination Kit*	4DT-VPVK	1604681

*Kit includes everything but Direct-Temp® pipe lengths.

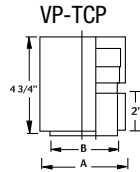
SELKIRK. MODEL VP PELLET PIPE COMPONENTS

PIPE CONNECTOR



Description	Part No.	Sku No.
3" Pipe Connector	3VP-PC	243240
3" Pipe Connector – Black	3VP-PCB	243240B
4" Pipe Connector	4VP-PC	244240
4" Pipe Connector – Black	4VP-PCB	244240B

THICK COLLAR PIPE CONNECTOR



Description	Part No.	Sku No.
Thick Collar Pipe Connector	3VP-TPC	243242

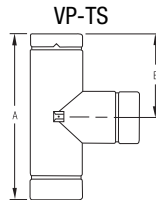
DIM A	DIM B
3.85"	2.85"

INCREASER



Description	Part No.	Sku No.
3" to 4" Increaser	3VP-I4	243304

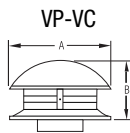
TEE w/TEE CAP & INCREASER TEE



Description	Part No.	Sku No.
4" Diameter Tee w/Tee Cap – Black	4VP-TSB	244100B
4" Diameter Tee w/Tee Cap	4VP-TS	244100
4"-3" Dia. Increaser Tee w/Tee Cap – Black	4VP-3TB	244113B
4"-3" Dia. Increaser Tee w/Tee Cap	4VP-3T	244113

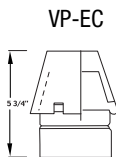
DIM A	DIM B
10"	5"

VERTICAL & HORIZONTAL TERMINATIONS



DIM A	DIM B
8"	4-1/4"

Description	Part No.	Sku No.
4" Diameter Vertical Termination	4VP-VC	244800
4" Exit Cap	4VP-EC	244803



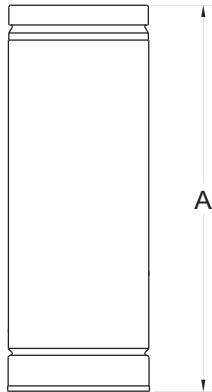
VACUUM CLEANOUT CAP



Description	Part No.	Sku No.
4" Vacuum Cleanout Cap	4VP-VCC	244185

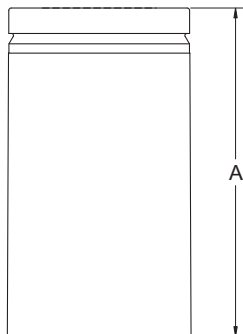
DIRECT-TEMP® for PELLET and CORN STOVES VENT COMPONENTS

DIRECT TEMP® PIPE LENGTH



Description	Part No.	(A) Lengths	Sku No.		Net Installed Lengths
			Galvanized	Black	
DT - 6" Pipe	4DT-06	6"	1604006	1604006B	4 3/8"
DT - 9" Pipe	4DT-09	9"	1604009	1604009B	7 3/8"
DT - 12" Pipe	4DT-12	12"	1604012	1604012B	10 3/8"
DT - 18" Pipe	4DT-18	18"	1604018	1604018B	16 3/8"
DT - 24" Pipe	4DT-24	24"	1604024	1604024B	22 3/8"
DT - 36" Pipe	4DT-36	36"	1604036	1604036B	34 3/8"
DT - 48" Pipe	4DT-48	48"	1604048	1604048B	46 3/8"

ADJUSTABLE LENGTH AND TELESCOPIC LENGTH

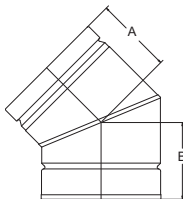


Description	Part No.	Sku No.
Adjustable Length 4-10" 4 x 6-5/8"	4DT-AJ12	1604082
Adjustable Length 4-10" 4 x 6-5/8" Black	4DT-AJ12B	1604082B
Telescopic Adj. Length 14-22" 4 x 6-5/8"	4DT-AJ14	1604084
Telescopic Adj. Length 14-22" 4 x 6-5/8" Black	4DT-AJ14B	1604084B

SIZE	DIM A	DIM A-Telescopic
4 x 6-5/8"	12.0"	14.0"

NOTE: Adjustable length slides onto standard pipe section for adjustment from 4" to 10".

45° ELBOW

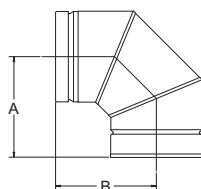


Description	Part No.	Sku No.
Elbow 4 x 6-5/8" 45°	4DT-EL45	1604215
Elbow 4 x 6-5/8" 45° Black	4DT-EL45B	1604215B

SIZE	DIM A	DIM B
4 x 6-5/8"	4.30"	4.30"

NOTE: 45° fixed elbow rotates at the joint connection to properly align installation.

90° ELBOW

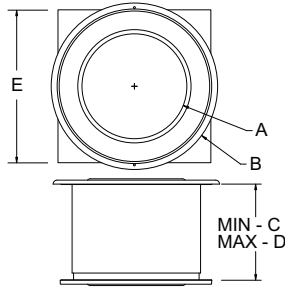


Description	Part No.	Sku No.
Elbow 4 x 6-5/8" 90°	4DT-EL90S	1604230S
Elbow 4 x 6-5/8" 90° Black	4DT-EL90SB	1604230SB

SIZE	DIM A	DIM B
4 x 6-5/8"	6.50"	6.50"

NOTE: 90° fixed elbow rotates at the joint connection to properly align installation.

WALL THIMBLE

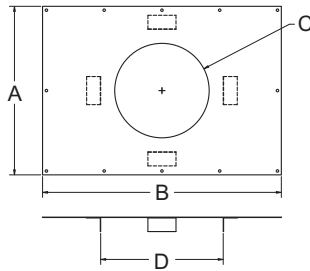
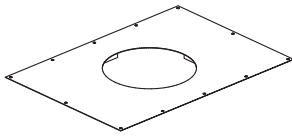


Description	Part No.	Sku No.
Wall Thimble 4 x 6-5/8" Black	4DT-WT	1604460B

SIZE	DIM A	DIM B	MIN C	MAX D	MAX E
4 x 6-5/8"	6.75"	14"	3.70"	7.00"	13.00"

NOTE: Two-piece wall thimble easily slides together for installation on wall thicknesses of 4" to 7". Serves a dual purpose as both a heat shield and firestop.

FIRESTOP SPACER

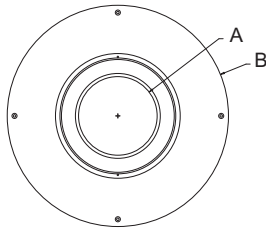


Description	Part No.	Sku No.
Firestop Spacer 4 x 6-5/8"	4DT-FS	1604500

SIZE	DIM A	DIM B	DIM C	DIM D
4 x 6-5/8"	12.0"	17.0"	6.72"	8.73"

NOTE: Required when penetrating combustible materials. Refer to our installation instructions for specific requirements.

TRIM PLATE

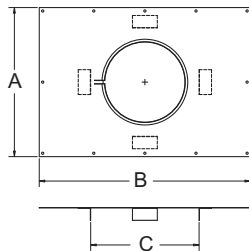
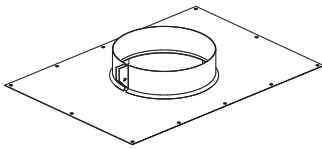


Description	Part No.	Sku No.
Trim Plate 4 x 6-5/8" Black	4DT-TP	1604502

SIZE	DIM A	DIM B	DIM C
4 x 6-5/8"	6.75"	19.0"	.50"

NOTE: Used to provide a finished look at the ceiling for vertical installations.

CEILING SUPPORT

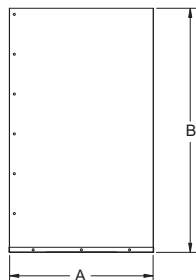
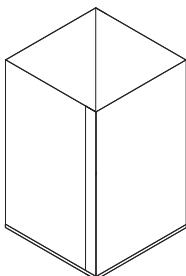


Description	Part No.	Sku No.
Ceiling Support 4 x 6-5/8"	4DT-CS	1604400

SIZE	DIM A	DIM B	DIM C
4 x 6-5/8"	12.0"	17.0"	8.73"

NOTE: Required when penetrating floors on multi-story applications.

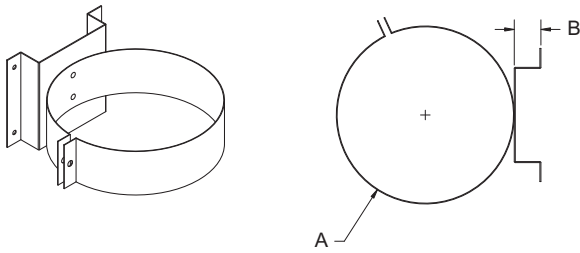
CATHEDRAL CEILING SUPPORT BOX



Description	Part No.	Sku No.
Cathedral Ceiling Support Box 4 x 6-5/8" Blk.	4DT-CCS	1604424B

SIZE	DIM A	DIM B
4 x 6-5/8"	10.625"	14.0"

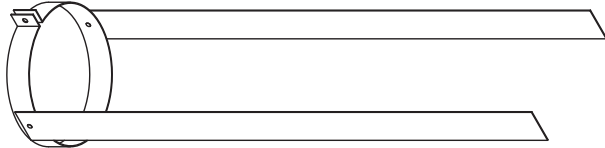
WALL SUPPORT BAND



Description	Part No.	Sku No.
Wall Support/Band 4 x 6-5/8"	4DTWS/B	1604430

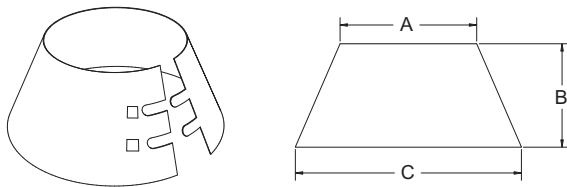
SIZE	DIM A	DIM B
4 x 6-5/8"	6.625"	1.0"

OFFSET SUPPORT



Description	Part No.	Sku No.
Offset Support 4 x 6-5/8"	4DT-OS	1604435

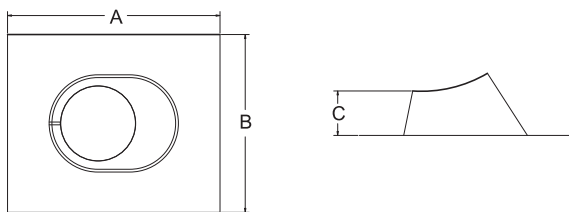
STORM COLLAR



Description	Part No.	Sku No.
Storm Collar 4 x 6-5/8"	4DT-SC	1604810

SIZE	DIM A	DIM B	DIM C
4 x 6-5/8"	6.625"	5.50"	11.0"

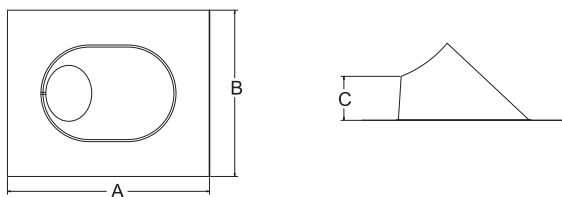
ADJUSTABLE ROOF FLASHING 0-12 to 6-12



Description	Part No.	Sku No.
0/12 - 6/12 4 x 6-5/8"	4DT-AF6	1604825

SIZE	DIM A	DIM B	DIM C
4 x 6-5/8"	19.125"	16.0"	4.0"

ADJUSTABLE ROOF FLASHING 6-12 to 12-12



Description	Part No.	Sku No.
6/12 - 12/12 4 x 6-5/8"	4DT-AF12	1604830

SIZE	DIM A	DIM B	DIM C
4 x 6-5/8"	19.125"	16.0"	4.0"

CHIMNEY CONVERSION KITS - USA Only



Masonry Chimney Conversion Kit

Connect to a masonry chimney using Selkirk stainless steel flexible chimney liner – Model SFCL (sold separately)



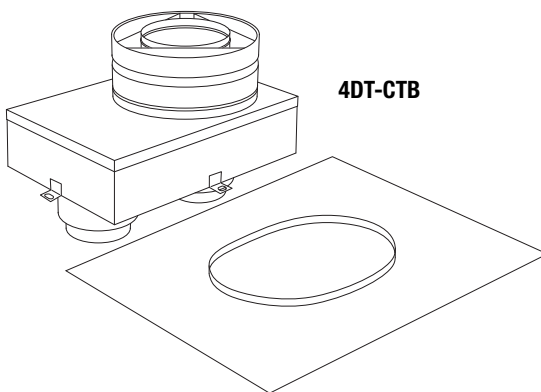
Chimney Conversion Kit

Connect to a 6" I.D. Class A chimney using Selkirk stainless steel flexible chimney liner – Model SFCL (sold separately)

Description	Part No.	Sku No.
Masonry Chimney Conversion Kit	4DT-MCK	1604630
CHIM. CONV. KIT A (for 6" ID/8" OD Class A Chimney)	4DT-CCKA	1604631
CHIM. CONV. KIT B (for 6" ID/10" OD Class A Chimney)	4DT-CCKB	1604635

NOTE: Touch-up paint – Forrest Stove Brite Satin Black – 1A54H206

CO-LINEAR – Parts and adapters for fireplace inserts



Description	Part No.	Sku No.
Co-Linear Termination Box with Baseplate	4DT-CTB	1604650
Co-Linear Flex Connector	4DT-CFC	1604085

Two Components that are Revolutionizing the Venting Industry



- Inherent design of Direct-Temp® eliminates fly ash into room
- 1" clearance to combustibles
- Preheats intake air for more efficient combustion
- Gasketed joints eliminate need for messy sealant
- One installation includes outside air for combustion
- Single stack looks more like a wood-burning stove



Selkirk's revolutionary Direct-Temp® direct vent system for gas appliances is now also UL listed for pellet and corn burning appliances. Our two new innovative components will allow you to convert any pellet appliance into a simpler, cleaner and more efficient direct vent system.

DIRECT-TEMP®
for PELLETS and CORN STOVES

WORLD HEADQUARTERS

P.O. Box 831950
Richardson, Texas 75083-1950
(800) 992-8368 (VENT)
Toll Free Fax: (877) 393-4145
www.selkirkusa.com

RESEARCH & DEVELOPMENT

VENTING R&D
St. Rt. 93 N. & Sutton Rd.
Logan, Ohio 43138
(740) 385-5666
Fax: (740) 385-2483

SALES OFFICES & CUSTOMER SERVICE

UNITED STATES
P.O. Box 831950
Richardson, Texas 75083-1950
(800) 992-VENT (8368)
Toll Free Fax: (877) 393-4145

CANADA
375 Green Road
Stoney Creek, Ontario
Canada L8E 4A5
(905) 662-6600
Fax: (905) 662-5352
www.selkirkcanada.com

MANUFACTURING PLANTS & FACILITIES

UNITED STATES
1820 E. Fargo Ave.
Nampa, Idaho 83687-6824
(208) 467-7411
Fax: (208) 467-7412

130 Industrial Blvd.
Turners Falls, MA 01376
(800) 772-0739
Fax: 413-863-4803

7571 West Highway 153
P.O. Box 427
Winters, Texas 79567
(325) 754-4571
Fax: (325) 754-4764

CANADA
1400 California Ave.
P.O. Box 160, Brockville, Ontario
Canada K6V 5V3
(613) 342-6655
(800) 267-8178
Fax: (613) 342-2735

MEXICO
Justo Sierra Y 2 da Avenida
Ojinaga, Chihuahua, Mexico
011 52 (626) 453-2884/85
Fax: 011 52 (626) 453-2886

TECHNICAL SUPPORT

REGISTER, GRILLE & DIFFUSER
(800) 992-8368
Fax: (877) 393-4145
Email: Airmatesupport@selkirkinc.com

CHIMNEY & VENTING
US - (800) 848-2149 ext. 2212
Fax: (740) 385-2483
Email: Metalbestsupport@selkirkinc.com
CANADA - (888) SELKIRK (735-5475)
Fax: (866) 835-9624
Email: info@selkirkcanada.com

CONDITIONS OF SALE

WARRANTY

All Selkirk Corporation venting products are now backed with a Lifetime Limited Warranty. Please refer to the warranty included with the product for specific details or contact customer service for a copy.

PRICES & DISCOUNTS

See our price list and discount sheet for current pricing information. Orders will be invoiced at prices in effect at time order is placed. All prices subject to change without notice. All Selkirk products may be combined to achieve required discount levels.

CREDIT

Shipments will be made on open account to those firms with established credit ratings with us.

RESPONSIBILITY

Selkirk cannot assume responsibility for loss or damages to products in transit or for delays of carriers delivering our products. In case of loss, visible or concealed damage, you as a consignee must report such loss to carrier at once and file a claim.

FREIGHT

All shipments are F.O.B. our Facilities.

RETURNED GOODS

No merchandise may be returned for credit without prior written permission, shipping instructions and return authorization number. All items authorized for return must be in new and resalable condition in unopened cartons and transportation charges must be prepaid. A 25% restocking charge will be made on all returns to cover the costs of handling and inspection. Up to a 15% refurbishment charge will be applied as needed.

BROKEN CARTONS

Any order requiring quantities of product less than a complete carton will be charged an additional fee. Please contact your local representative for pricing.

TRANSPORTATION

Method of transportation and shipping point will be decided by Selkirk Corporation. If our customer requests special routing, the order will be shipped prepaid and charged.

Customer Service

US: (800) 992-8368

CANADA: (888) 735-5475

Fax Orders

US: Toll Free (877) 393-4115

CANADA: (866) 835 9625

SELKIRK Corporation is a leading manufacturer of venting products for residential, commercial and industrial applications. Current operations include locations in the United States, Canada and Mexico. SELKIRK has been supplying the finest venting products for over 80 years.



US - (800) 992-8368 (VENT)
www.selkirkusa.com

CANADA - (888) 735-5475 (SELKIRK)
www.selkirkcanada.com