

# Ash Removal System

## Owners Manual



**Model No. MU405**  
Cougar "quiet"  
3 Gallon Ash Capacity



**Model No. MU305**  
Cheetah II  
3 Gallon Ash Capacity

U.S. Patent No. 4,868,949 5,259,087

- Introduction
- Features
- Set Up
- Care
- Repair Parts List
- Warranty
- Serial Number Bottom of Canister

### ATTENTION:

Read all safety rules carefully before attempting to operate. Save these instructions.

**CONGRATULATIONS:** You are now the "owner of" an Ash Removal System which incorporates the latest advancements in ash removal technology. This vacuum will fill a need arising from widespread use of fireplaces and wood/coal/pellet stoves. Engineered to eliminate the dust that has been a problem for so many years with the conventional method of cleaning stoves with a bucket and shovel. If you have any questions concerning the operation or assembly of your Ash Vacuum call customer service at 1-800-568-3949.

### LIMITED ONE-YEAR HOME USE WARRANTY

Your Ash Vacuum is warranted in normal ash removal use; provided that use is in accordance with the Owner's Manual and the safety rules listed within, against original defects in material and workmanship for a period of one year from date of purchase. Please note that this warranty is limited to and applies only to the original purchaser. "For Household Use Only," "POUR USAGE MÉNAGER TYPE MENAGER," so long as that use is in accordance with instructions and limitations set out in this manual. Love-Less Ash company is not responsible and will not be held liable for statements made by any person(s) as to operation of this unit that vary from the terms of this limited warranty. Please read this manual carefully for limitations. This warranty does not apply to industrial, commercial or rental use. Love-Less Ash Company warrants placing the Ash Vacuum in correct operating condition, by repair or parts replacement, during the warranty period, without charge. There are no warranties, express or implied, written or verbal, which extend beyond the description in this manual.

Simply return the complete unit or part, (transportation prepaid), to Love-Less Ash Company, 600 South Nick Lane, Price, Utah 84501. L.L.A. Company assumes no responsibility for damage or faulty performance caused by misuse or careless handling, or where repairs have been made or attempted by others. Proof of purchase date is required. This warranty gives you specific legal rights and you may also have other rights which may vary from state to state.

**Love-Less Ash Company • Price, Utah 84501**

# IMPORTANT - SAFETY INSTRUCTIONS IMPORTANTES MESURES DE SÉCURITÉ

## SAVE THESE INSTRUCTIONS

## CONSERVER CES INSTRUCTIONS

1. Read the Owner's Manual completely before attempting to operate this unit.
2. Always check the filter before each use.
3. Run this unit for 30 seconds after you have finished cleaning your stove or fireplace to insure all materials are safely stored in the canister.

**"WARNING – To avoid the risk of electrical shock do not use outdoors or on wet surfaces."**

**"AVERTISSEMENT – Pour réduire les risques de choc électrique, ne pas utiliser à l'extérieur et ne pas aspirer de matières humides."**

1. Connect to a properly grounded outlet. See grounding instructions.
2. Don't change filters, clean the unit, or empty the canister until the plug has been disconnected from the electrical outlet. Always unplug unit when not in use and before servicing.

### **WARNING – To reduce the risk of burns, fire, electric shock, or personal injury:**

1. Do not allow this unit to be used as a toy or to run unattended at any time. Keep children away from this unit.
2. Do not allow this unit to be used for anything other than ash removal.
3. Do not use accessories except those recommended and provided by Love-Less Ash Company. Use this unit only for its intended use as described in this manual. Use of accessories not recommended by the manufacturer may cause fire, electric shock, or injury. (See parts list)
4. Do not operate this unit in an enclosed space where flammable, explosive or toxic vapors are given off by oil-base paint, paint thinner, gasoline, etc.
5. Do not vacuum toxic, carcinogenic, combustible, or other hazardous materials such as asbestos, arsenic, barium, beryllium, lead, pesticides, or other health endangering materials.
6. To avoid the igniting of vapors or dust due to the arcing of the motor brushes, do not pick up flammable or readily combustible material.
7. Do not expose your Ash Vacuum to excessive heat as damage to your vacuum may occur and the 1 year warranty will be null and void.
8. Do not vacuum materials other than ASHES from your stove or fireplace into the canister.
9. Do not store this unit immediately after ash removal, in any enclosed or confined area.
10. Never operate your Ash Vacuum without filters properly in place.
11. Do not abuse cord. Never carry your Ash Vacuum by the cord or pull cord to disconnect it from the outlet. Grasp the plug, not the cord.
12. Do not leave the cord lying on the floor once you have finished the cleaning job. It can become a tripping hazard.
13. Never handle plug, cord, or cleaner with wet hands.
14. Never drop or insert any object into any openings. Do not use with any opening blocked; keep free of dust, lint, hair, and anything that may reduce air flow.
15. Do not vacuum burning/live materials ie. PELLETS.
16. Keep cord from heat, oil and sharp edges. Do not close doors on the cord or snag it under furniture or pull around corners with sharp edges.
17. The operation of an Ash Vacuum can result in foreign objects being blown into your eyes, which can result in eye damage. Always wear safety goggles when operating vacuum.
18. Use special care when emptying heavily loaded canisters.
19. Do not use outdoors or on wet surfaces. Do not leave appliance when plugged in. Unplug from outlet when not in use and before servicing. Do not use with damaged cord or plug if appliance is not working as it should, has been dropped, damaged, left outdoors, or dropped into water, return it to service center.
20. **WARNING - Fire hazard - Intended for vacuuming ashes only. General household or shop-vac use could increase fire risk by induction of combustibles into unit prior to vacuuming ashes. Consult operating manual before use.**

### **GROUNDING INSTRUCTIONS:**

1. This appliance must be grounded. If it should malfunction or breakdown, grounding provides a path of least resistance for electric current to reduce the risk of electric shock. This appliance is equipped with a cord having an equipment-grounding conductor and grounding plug. The plug must be inserted into an appropriate outlet that is properly installed and grounded in accordance with all local codes and ordinances.

**WARNING -** Improper connection of the equipment-grounding conductor can result in a risk of electric shock. Check with a qualified electrician or service person if you are in doubt as to whether the outlet is properly grounded. Do not modify the plug provided with the appliance.

**NOTE:** Static shocks are common in dry areas or when the relative humidity of the air is low. This is only temporary and does not affect the use of the Ash Vacuum. To reduce the frequency of static shocks in your home, the best remedy is to add moisture to the air with a console or installed humidifier.

---

## SET-UP WITH ONLY 5 EASY STEPS

**STEP ONE:** Place the lid upside down on a flat surface. Place the small, white secondary filter **with the finished side OUT** over the spring mounted cage on the underneath side of the lid. Gently push the filter all the way on and compress the springs, then let off all pressure allowing the cage to push the filter back out into a relaxed position. Secure filter firmly with the 7" clamp to the lid so particles are not allowed to go through to the motor.

**STEP TWO:** Take the rod of the filter support basket and slide it through the small hole in the lid. The filter support basket should be between the primary and secondary filters. Take the larger, primary filter **with the stamped side IN**, and place it over the filter support basket (part #9p23) and fasten it securely with the 10" clamp to the base of the lid. **NOTE:** The primary filter's bottom seam and the filter support basket should line up and cross the center of the lid. Where the filter attaches to the lid, there should be a minimal amount of wrinkles. The filter and lid should look like Fig. 2 when completed. **(NOTE: ALWAYS CHECK FILTER BEFORE EACH USE TO ENSURE THAT IT FITS SNUGLY IN PLACE AND IS IN GOOD CONDITION.)**

**STEP THREE:** From the top side of the lid, screw in the brass rod cover finger tight only.

**STEP FOUR:** Place the lid on top of the canister and secure in place with the 3 lid clamps.

**STEP FIVE:** Slide one end of the hose on to the port connection on the side of the canister. This will be a snug fit. Slide the metal nozzle into the other end of the hose with the crimped end OUT. See Fig. 3.

**NOTE:** Never use your Ash Vacuum without the metal nozzle in place. Your Ash Vacuum is now ready for operation. Congratulations!

## FEATURES:

A patented double filter system allows ash to be removed from woodstoves, pellet stoves or fireplaces without emitting dust. (Fig. 1)

The primary and secondary filters may be cleaned without removing the lid. Agitation of the filter support basket, located between the primary and secondary filters allows both filters to be cleaned without removing the lid. (Fig. 2)

The primary filter is fire retardant as a precaution in the event a hot spark should accidentally hit the filter.

A secondary filter traps sub-micron particles that are allowed through the primary filter. This filter covers a spring mounted cage which allows the filter to be cleaned without removing the lid.

The hose is flame resistant as a precaution should a hot spark accidentally pass through the hose. As the size of particles removed is small, they are easily moved along the hose and deposited in the canister.

The metal nozzle allows ash to be removed quickly while larger particles are left behind to be burned at a later date. (Fig. 3)

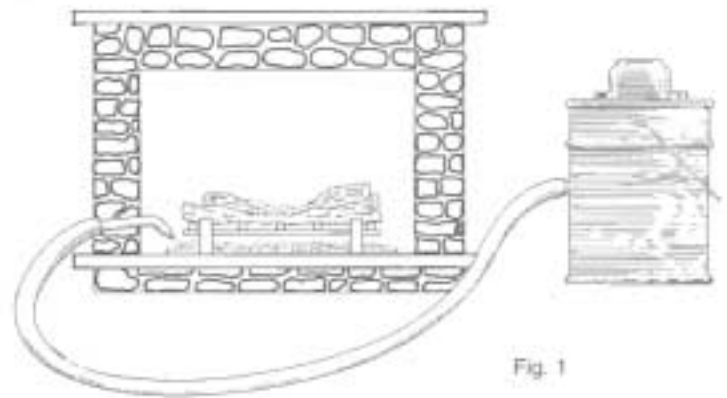


Fig. 1

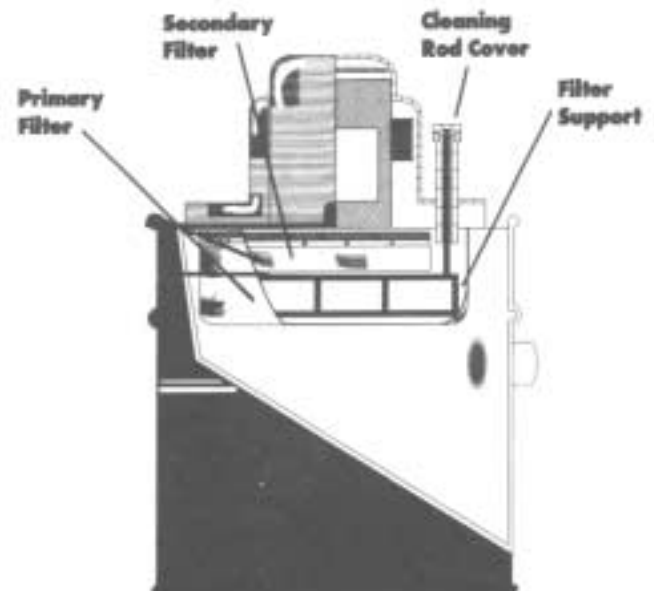


Fig. 2

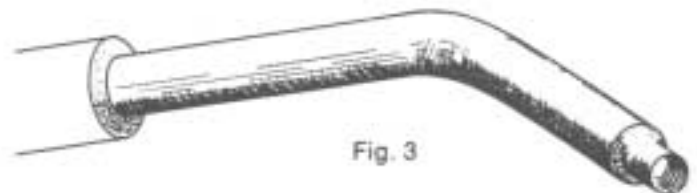


Fig. 3

### HOW TO USE:

Simply place the crimped end of the metal nozzle directly on the fire brick and rub in circular motion. This allows the ash to travel through the hose quickly and without clogging. Move the larger pieces to the side or break up larger pieces when necessary.

## HOW TO CLEAN YOUR FILTERS:

### Temporary Cleaning (Often):

1. Always turn off your Ash Vacuum before cleaning the filters.
2. Remove the brass noggle cover from the lid.
3. **PRIMARY FILTER** - Lift the filter support basket rod "noggle" slightly and shake from **side to side** so the basket hits the sides of the primary filter to break the crust of ash and make the particles fall off.  
**SECONDARY FILTER** - Lift the filter support basket rod "noggle" up and down quickly two or three times so light contact is made with the secondary filter to slightly compress the snap springs under the cage and make a snapping effect on the filter as pressure is removed.
4. Replace the brass noggle cover to the top of the lid.

### Thorough Cleaning

#### (after 60-80 Gallons of ash has been removed)

1. Unplug the unit from the electrical outlet.
2. Before removing the primary filter, vacuum along the hose clamp so the dust that collects there will not fall inside the filter when it is removed.
3. Remove the primary filter and vacuum the **outside** of the secondary filter and the **inside** of the primary filter.
4. Before reattaching the filters, inspect them for possible holes which may allow ash to penetrate to the vacuum. Silicone rubber sealant may be used to repair small holes.
5. Reattach the filters to the lid making sure the filters and hose clamps are placed properly and tightly.

**NOTE: DO NOT WASH THE FILTERS**

## TROUBLE SHOOTING

TROUBLE	POSSIBLE CAUSE	REMEDY
<b>Clogged Nozzle</b>	Ash is blocking nozzle end or nozzle is being held above the ash and ash is trying to go through all at once.	Place nozzle directly on firebrick and rub to move large particles out of the way and maintain air flow and to crush larger particles if necessary.
	Nozzle is in backwards in hose.	Put smooth end in hose & crimped end out.
<b>Poor Suction</b>	Coated primary filter.	Clean primary filter see instructions on: "How To Clean Your Filter."
	Coated secondary filter.	Clean both primary and secondary filters.
	Clogged nozzle/hose.	See clogged nozzle.
<b>Hose Becomes Hot</b>	Cleaning TOO WARM of ash.	Let ash cool down.
<b>Hose Becomes Brittle</b>	Excessive exposure to heat.	Vacuum only cool ash.
<b>Dust Escaping</b>	Hole in either filter.	Repair or replace filters. Small holes may be repaired with Silicone Rubber Sealant.
	Hose clamps are not tight enough.	Tighten hose clamps.
	Filters may have wrinkles or out of correct position.	Inspect filters and adjust them so they are smooth around the hose clamps.
	Pop rivets may start to leak.	Caulk pop rivets from the inside of the unit.

NOTE: Inspect filters before each use to insure that they are in good condition.

NOTE: **EXCESSIVE OR ABUSIVE** shaking of the filter support may result in tearing and/or premature wearing of either filter.

Crevice Tool – 4P19

Brush Tool – 4P20

Adaptor – 4P21

Pellet Stove Cleaning Tool

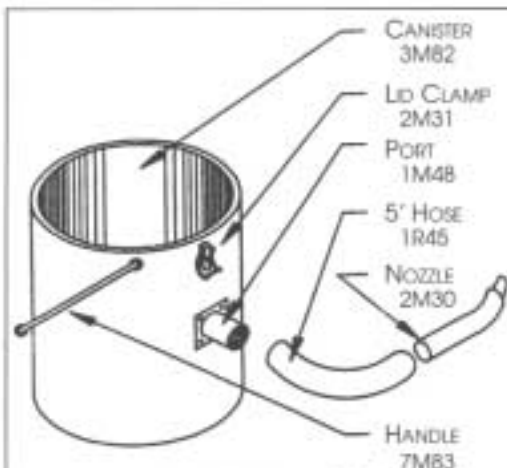
Filter Pkg. – 2F22

(Includes 1 Primary & 1 Secondary)



Set  
4P22

1P24



Model No. MU405 "COUGAR"  
Model No. MU 305 "CHEETAH II"

## HOW TO ORDER REPAIR PARTS

When ordering repair parts, always give the following information:

- PART NUMBER
- PART DESCRIPTION
- MODEL NO.

**Love-Less Ash Co.**

**600 S. Nick Lane • Price, Utah 84501**

**(435) 637-5885 • FAX (435) 637-5895**

E-Mail: [loveless@lovelessash.com](mailto:loveless@lovelessash.com)

### Parts List

